

ITEM NO.	PART NUMBER	DESCRIPTION	Default/QTY.
1	USB_mini_socket		1
2	LP0144-P0001		1
3	LP0144-P0002		1
4	C920_PCB_original		1
5	cs_lens		1
6	mini_usb_pcb		1
7	wires		1
8	DIN912 M2 x 6 screw		1
9	ISO 4762 M2.5 x 6 --- 6N		4
10	camera_scew		4

UNLESS OTHERWISE SPECIFIED:
 DIMENSIONS ARE IN MILLIMETERS
 SURFACE FINISH:
 TOLERANCES:
 LINEAR:
 ANGULAR:

FINISH:

DEBUR AND
 BREAK SHARP
 EDGES

DO NOT SCALE DRAWING

REVISION

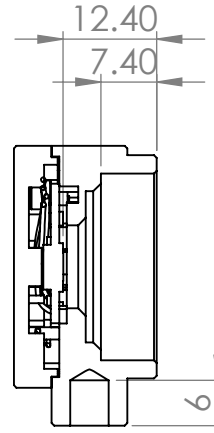
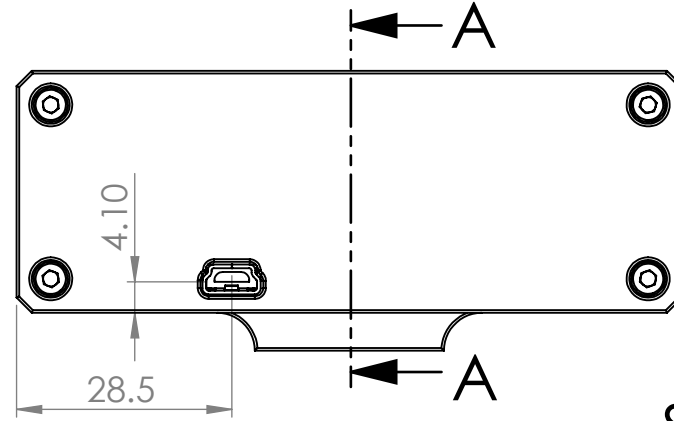
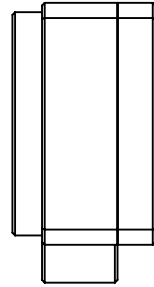
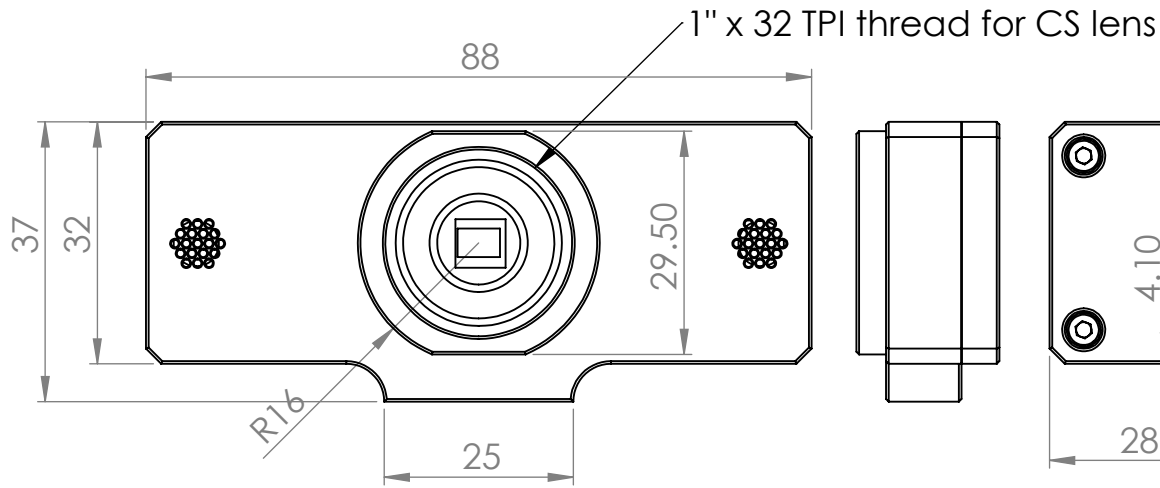
	NAME	SIGNATURE	DATE		
DRAWN					
CHK'D					
APPV'D					
MFG					
Q.A					

TITLE:		DWG NO. C920_CS_case		A4
--------	--	-----------------------------	--	----

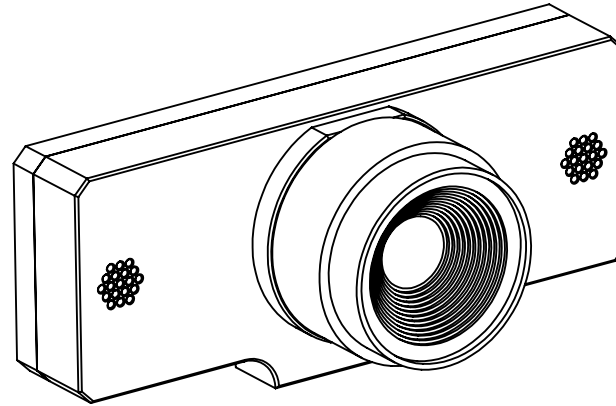
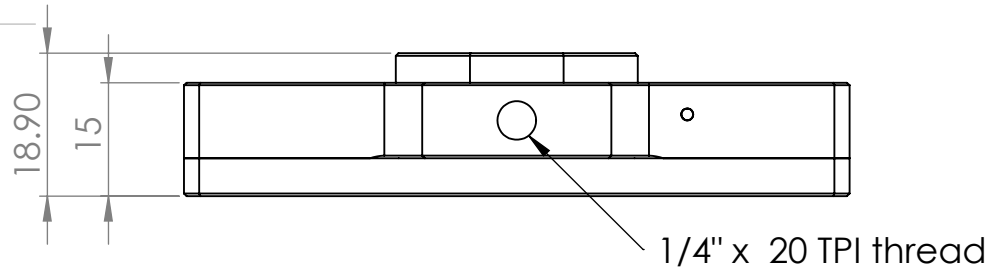
WEIGHT:

SCALE:1:1

SHEET 1 OF 4



SECTION A-A



UNLESS OTHERWISE SPECIFIED: DIMENSIONS ARE IN MILLIMETERS SURFACE FINISH: TOLERANCES: LINEAR: ANGULAR:				FINISH:		DEBUR AND BREAK SHARP EDGES		DO NOT SCALE DRAWING		REVISION	
DRAWN				SIGNATURE		DATE		TITLE:			
CHK'D											
APPV'D											
MFG											
Q.A						MATERIAL:		DWG NO. C920_CS_case		A4	
						WEIGHT:		SCALE:1:1		SHEET 2 OF 4	

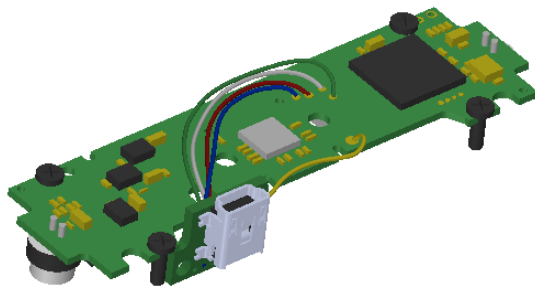
Shielding
yellow
24mm

Shielding solder point

D+ green 56mm
D- white 49mm
Vcc red 44mm
GND blue 44mm

Scape green solder mask at this place

Vcc
D-
D+
N/C (sense)
GND



UNLESS OTHERWISE SPECIFIED:
DIMENSIONS ARE IN MILLIMETERS
SURFACE FINISH:
TOLERANCES:
LINEAR:
ANGULAR:

FINISH:

DEBUR AND
BREAK SHARP
EDGES

DO NOT SCALE DRAWING

REVISION

	NAME	SIGNATURE	DATE		
DRAWN					
CHK'D					
APPV'D					
MFG					
Q.A					
				MATERIAL:	
				WEIGHT:	

TITLE:	
DWG NO.	C920_CS_case
SCALE:1:1	SHEET 3 OF 4
	A4

1 2 3 4 5 6

A

A

Notes:

* Camera is IR sensitive. Use filters or lens with integrated IR filter

B

B

C

C

D

UNLESS OTHERWISE SPECIFIED: DIMENSIONS ARE IN MILLIMETERS SURFACE FINISH: TOLERANCES: LINEAR: ANGULAR:		FINISH:		DEBUR AND BREAK SHARP EDGES		DO NOT SCALE DRAWING		REVISION	
	NAME	SIGNATURE	DATE			TITLE:			
DRAWN									
CHK'D									
APPV'D									
MFG									
Q.A					MATERIAL:	DWG NO. C920_CS_case		A4	
					WEIGHT:	SCALE:1:1		SHEET 4 OF 4	

1 2