

Micro USB socket
HDMI socket

UNLESS OTHERWISE SPECIFIED:
DIMENSIONS ARE IN MILLIMETERS
SURFACE FINISH:
TOLERANCES:
LINEAR:
ANGULAR:
FINISH:
DEBUR AND
BREAK SHARP
EDGES

DO NOT SCALE DRAWING
REVISION

	NAME	SIGNATURE	DATE		
DRAWN					
CHK'D					
APPV'D					
MFG					
Q.A					
				MATERIAL:	
				WEIGHT:	

TITLE:

DWG NO. **LP0225_manual** A4

SCALE:1:1 SHEET 2 OF 5

1 2 3 4 5 6

A

A

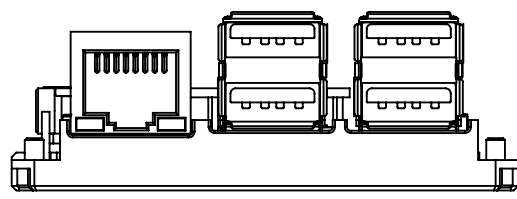
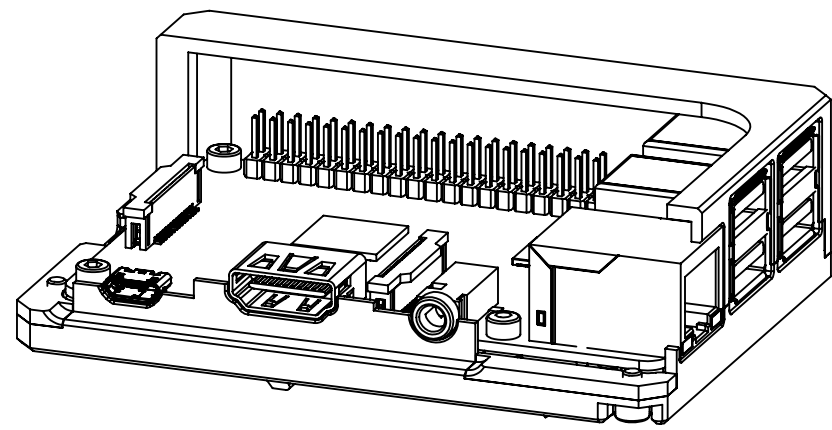
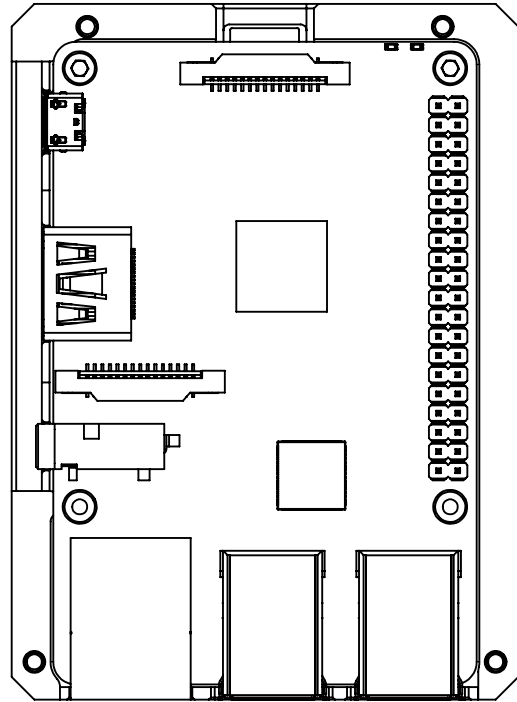
B

B

C

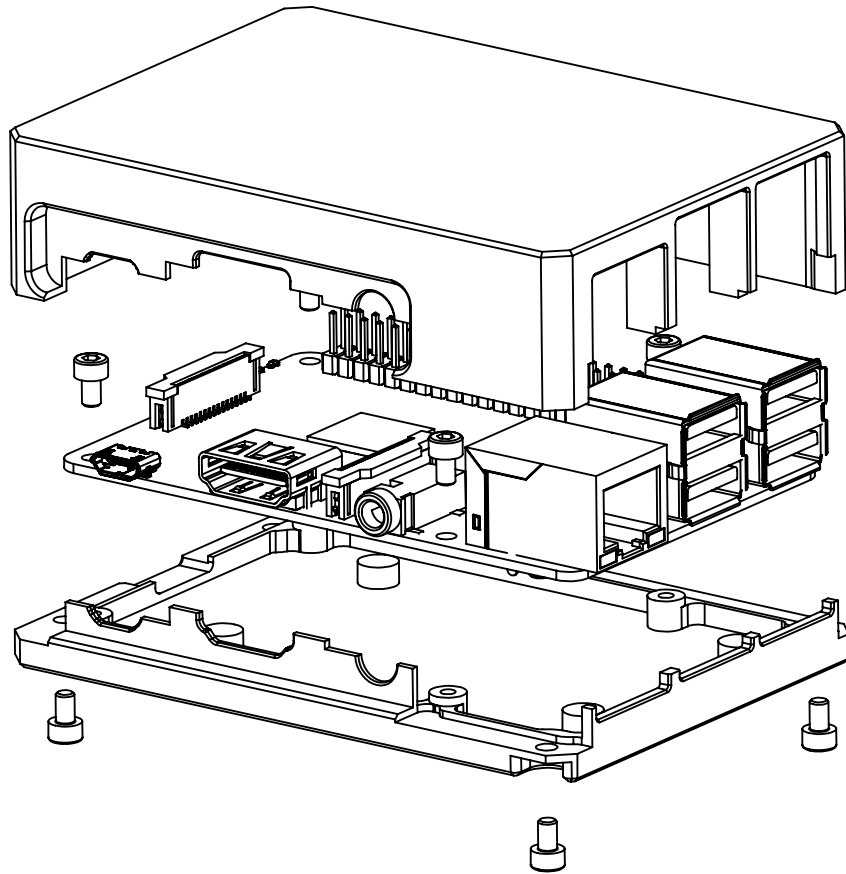
C

D



UNLESS OTHERWISE SPECIFIED: DIMENSIONS ARE IN MILLIMETERS SURFACE FINISH: TOLERANCES: LINEAR: ANGULAR:				FINISH:		DEBUR AND BREAK SHARP EDGES		DO NOT SCALE DRAWING		REVISION	
								TITLE:			
DRAWN				NAME		SIGNATURE		DATE			
CHK'D											
APPV'D											
MFG											
Q.A						MATERIAL:		DWG NO.		LP0225_manual	
								SCALE:1:1		SHEET 3 OF 5	
						WEIGHT:				A4	

1 2 3 4 5 6



ITEM	PART NUMBER	MATERIAL	WEIGHT	Default/ QTY.
1	LP0225-RPI-B+			1
2	LP0225-P0002C	6061		1
3	LP0225-P0003C	6061		1
4	Hexagon socket head cap screw ISO 4762 - M2.5 x 4			8

UNLESS OTHERWISE SPECIFIED:
 DIMENSIONS ARE IN MILLIMETERS
 SURFACE FINISH:
 TOLERANCES:
 LINEAR:
 ANGULAR:

FINISH:

DEBUR AND
 BREAK SHARP
 EDGES

DO NOT SCALE DRAWING

REVISION

	NAME	SIGNATURE	DATE		
DRAWN					
CHK'D					
APPV'D					
MFG					
Q.A					
				MATERIAL:	
				WEIGHT:	

TITLE:	
DWG NO.	LP0225_manual
	A4
SCALE:1:1	SHEET 4 OF 5

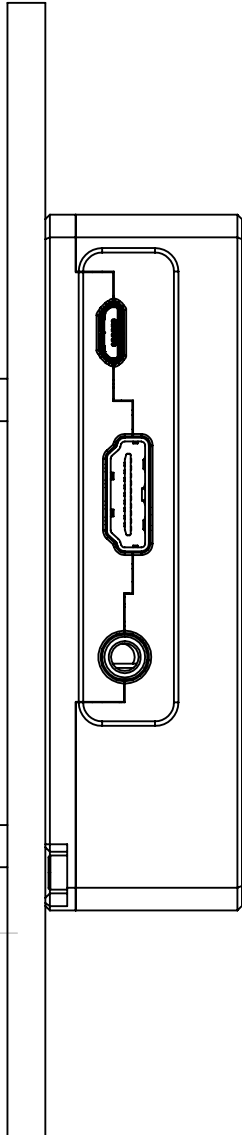
A

B

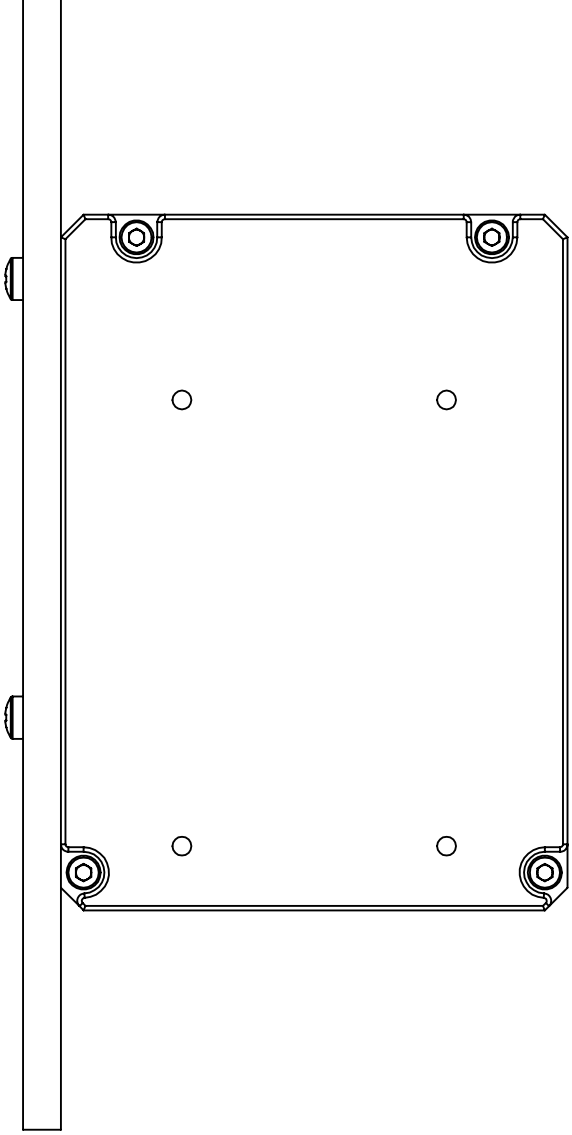
C

D

E



Mounting option 1 - Flat profile



Mounting option 2 - Slim profile

UNLESS OTHERWISE SPECIFIED: DIMENSIONS ARE IN MILLIMETERS SURFACE FINISH: TOLERANCES: LINEAR: ANGULAR:		FINISH:		DEBUR AND BREAK SHARP EDGES		DO NOT SCALE DRAWING		REVISION	
DRAWN		SIGNATURE		DATE		TITLE:			
CHKD									
APPV'D									
MFG									
Q.A				MATERIAL:		DWG NO. LP0225_manual		A4	
				WEIGHT:		SCALE: 1:1		SHEET 5 OF 5	