

UNLESS OTHERWISE SPECIFIED: DIMENSIONS ARE IN MILLIMETERS SURFACE FINISH: TOLERANCES: LINEAR: ANGULAR:				FINISH:	DEBUR AND BREAK SHARP EDGES	DO NOT SCALE DRAWING	REVISION
	NAME	SIGNATURE	DATE			TITLE:	
DRAWN							
CHK'D							
APPV'D							
MFG							
Q.A				MATERIAL:		DWG NO.	
						<b>LP0225_manual</b>	A4
				WEIGHT:		SCALE:1:1	SHEET 2 OF 5

A

A

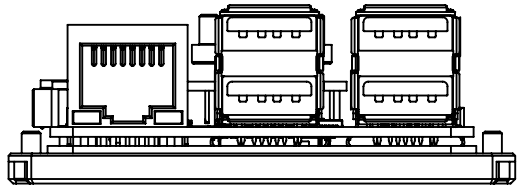
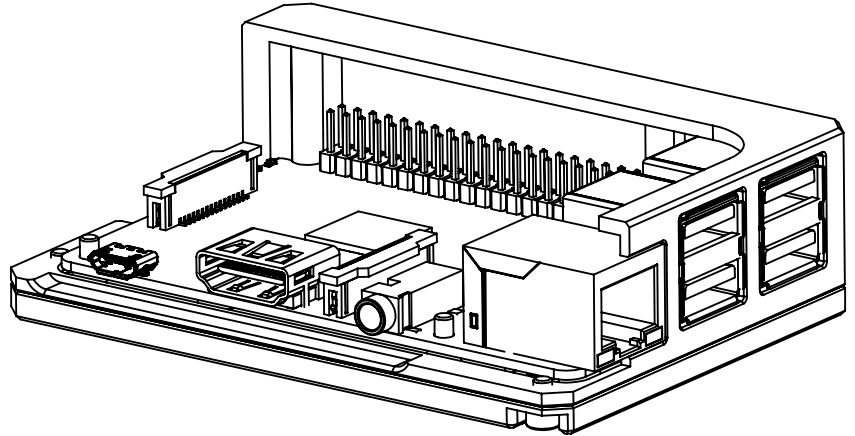
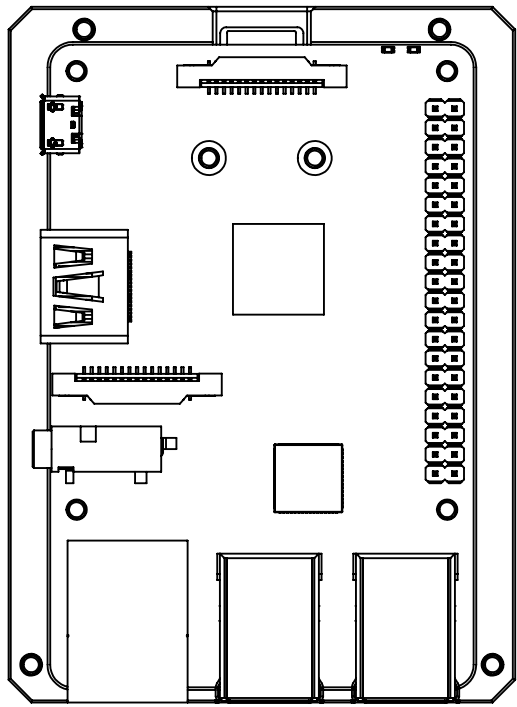
B

B

C

C

D



UNLESS OTHERWISE SPECIFIED: DIMENSIONS ARE IN MILLIMETERS SURFACE FINISH: TOLERANCES: LINEAR: ANGULAR:		FINISH:		DEBUR AND BREAK SHARP EDGES		DO NOT SCALE DRAWING		REVISION	
DRAWN		SIGNATURE		DATE		TITLE:			
CHK'D									
APPV'D									
MFG									
Q.A				MATERIAL:		DWG NO. LP0225_manual		A4	
				WEIGHT:		SCALE:1:1		SHEET 3 OF 5	

A

A

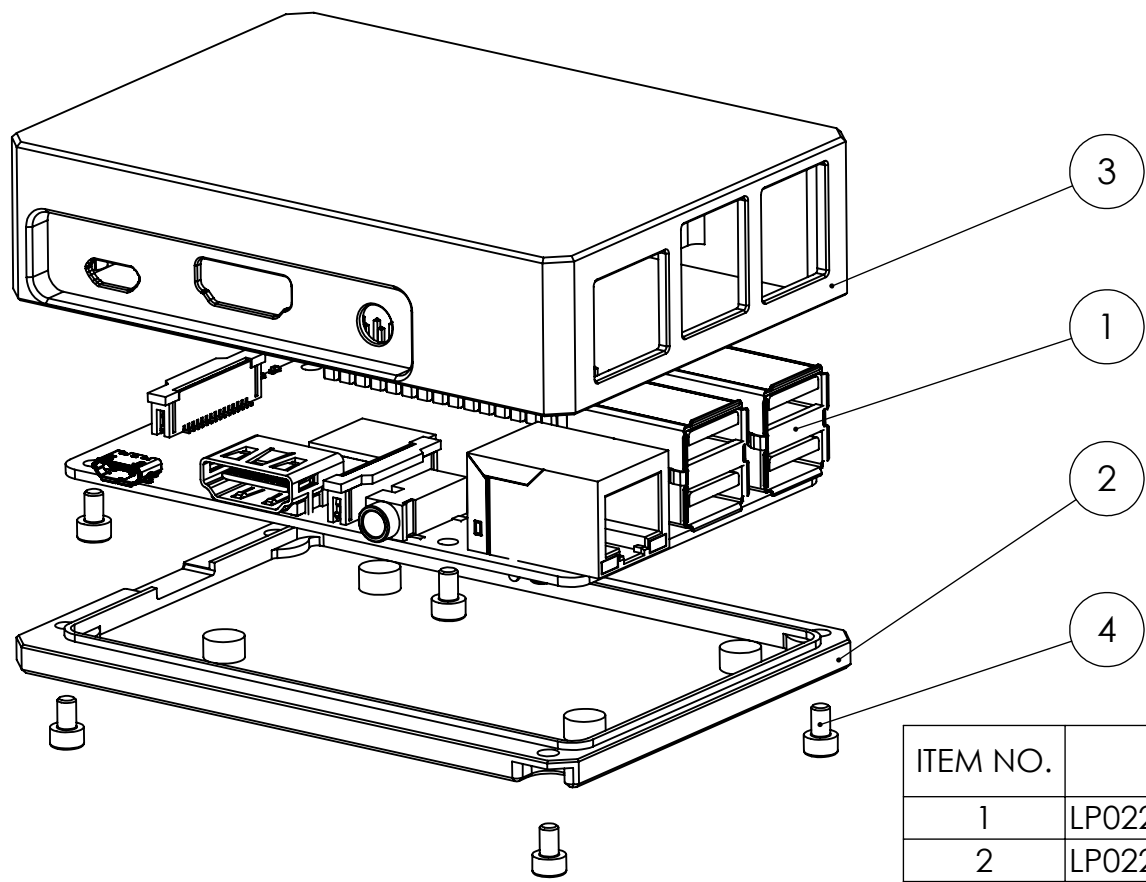
B

B

C

C

D



ITEM NO.	PART NUMBER	DESCRIPTION	Default/QTY.
1	LP0225-RPI-B+		1
2	LP0225-P0002		1
3	LP0225-P0003		1
4	ISO 4762 M2.5 x 4 --- 4N		8

UNLESS OTHERWISE SPECIFIED:  
 DIMENSIONS ARE IN MILLIMETERS  
 SURFACE FINISH:  
 TOLERANCES:  
 LINEAR:  
 ANGULAR:

FINISH:  
 DEBUR AND  
 BREAK SHARP  
 EDGES

DO NOT SCALE DRAWING REVISION

	NAME	SIGNATURE	DATE			
DRAWN						
CHK'D						
APPV'D						
MFG						
Q.A						

TITLE:  
 DWG NO. **LP0225\_manual** A4

